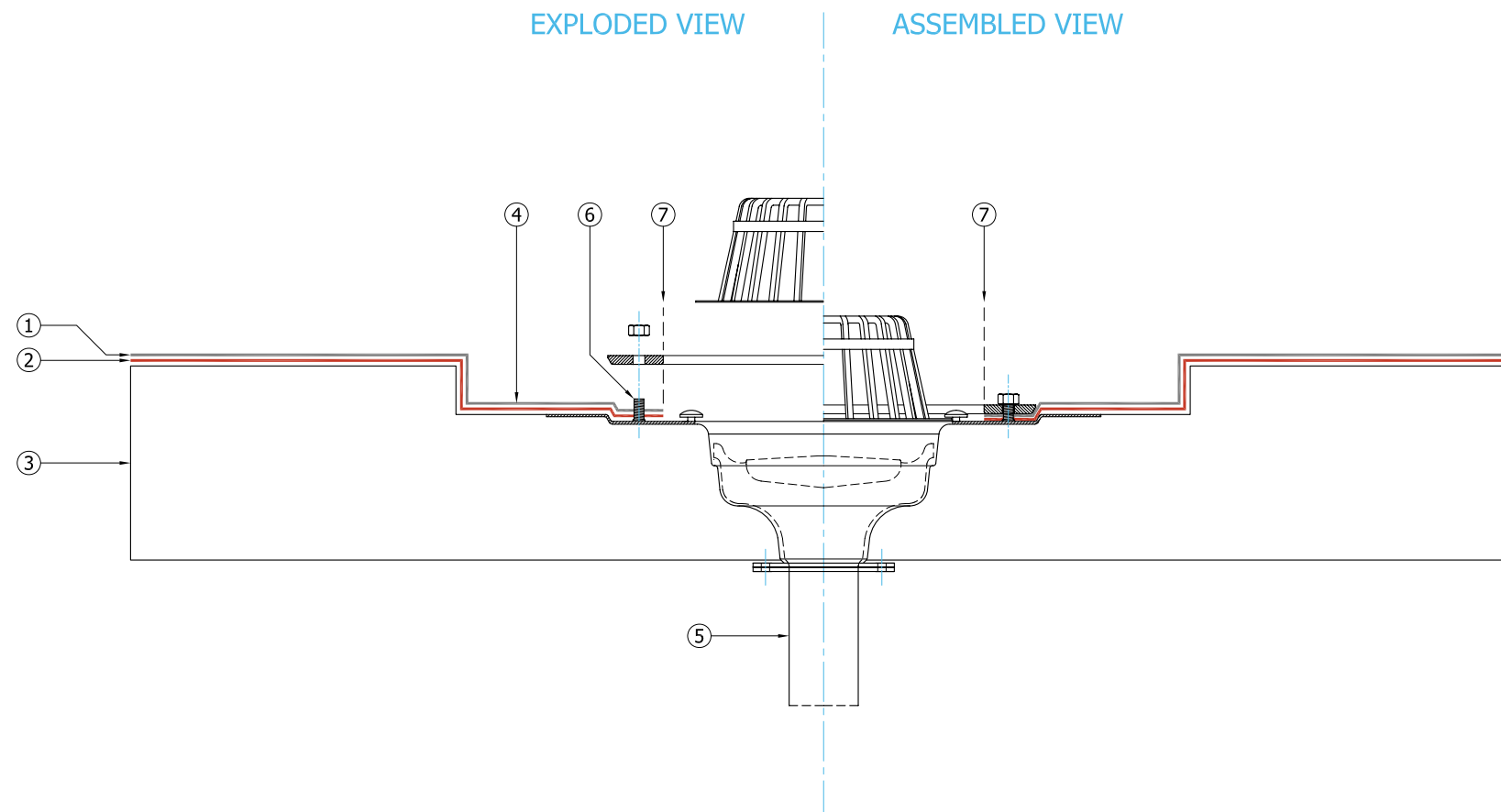


Key

- ① — Decothane Top Coat as per Sika Liquid Plastics Project Specification
- ② — Decothane Base Coat with embedded Reemat Premium GFM
- ③ Existing substrate prepared and primed in strict accordance with Sika Liquid Plastics Project Specification
- ④ Fully reinforced Decothane Waterproofing System applied through internal gutters and sumps
- ⑤ Proprietary syphonic roof outlet; clamping collar shown exploded and assembled for clarity of waterproofing termination
- ⑥ i) Clamping collar threads **must** be protected with low-tack tape prior to **each** coating application  
ii) All temporary protection tapes **must** be removed **immediately** after every coating application  
**NOTE:** non-compliance may hinder the completion of waterproofing and subsequently render the outlet non-serviceable
- ⑦ Decothane Waterproofing terminated in-line with the internal face of the clamping collar; allow membrane sufficient time to through-cure prior to final assembly of outlet components



Sika Liquid Plastics  
Sika House  
Miller Street  
Preston  
Lancashire PR1 1EA  
Telephone: 01772 259781  
Email: [technical.customer.services@uk.sika.com](mailto:technical.customer.services@uk.sika.com)  
Web: [www.liquidplastics.co.uk](http://www.liquidplastics.co.uk)

This drawing is solely intended to illustrate the correct application of Sika Liquid Plastics products and systems. It must be read in conjunction with the appropriate specification and current issue of relevant Product Data Sheets. All elements bearing reference to structural and/or thermal design are shown indicatively and **should not be used** in whole or in part for any aspect of project design without consulting the relevant authorities.

For refurbishment projects, all aspects of the existing roof are deemed to be fully compliant with BS 6229:2003 (Code of Practice for Flat Roofs with Continuously Supported Coverings) or improved upon for instances where these standards are not met.

Site-specific details not covered by our standard range can be obtained by providing relevant information to the email address shown.

Project No:

DWG No: Revision

Project:

Drawing Title:  
Waterproofing Termination Detail  
to an existing syphonic outlet  
in an internal gutter/sump

Scale: NTS @ A3 Drawn:

Date:

